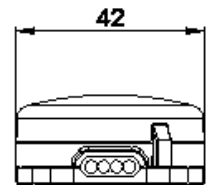
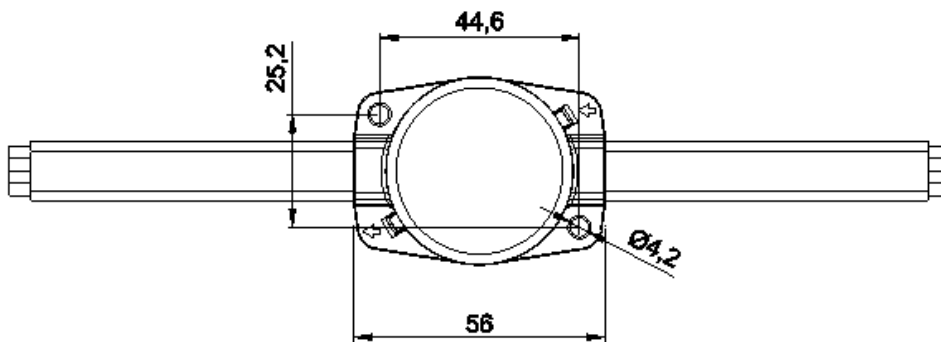
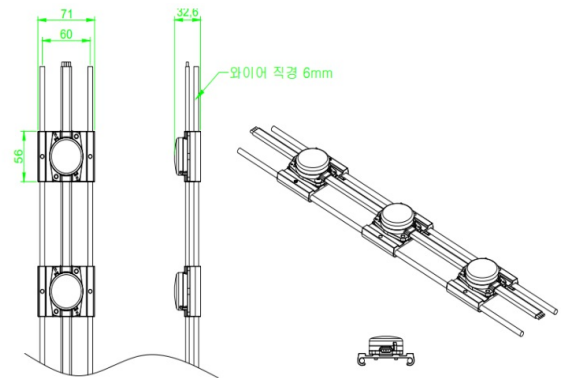
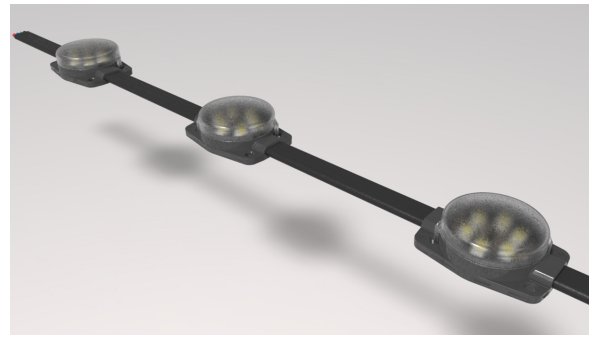


Full color DMX512 module(LH-SMC-40C)



The Technical Specifications of LED Module (LH-SMC-40C)

Descriptions	Specifications	Remarks
1. Driving Current	60 mA	* at 24V white
2. Power Consumption	1.5 W	* at 24V white
3. Operating Voltage	19~25 VDC	
4. Recommended Voltage	24 VDC	
5. LED Quantity	6 SMDs	
6. LED Chip	5.4mm(W)x5.0mm(D)	
7. Operating Temperature	-20°C ~ +60°C	
8. LED Viewing Angle	120 degree	
9. Wire	Silicon double insulated wire	
10. LED Luminous Intensity (In one SMD Package)	Red : 4800 mcd (max.)	RGB Full Color
	Green : 10800 mcd (max.)	
	Blue : 2100 mcd (max.)	
11. Protocol	DMX512	
12. Outline Size	55mm x56mm (H) x 20.2mm	
13. Weight	About 45 g	at Wire length 250mm